



Decommissioning **San Onofre** Nuclear Generating Station

Decommissioning Update

June 22, 2016

Tom Palmisano

Vice President Decommissioning &
Chief Nuclear Officer



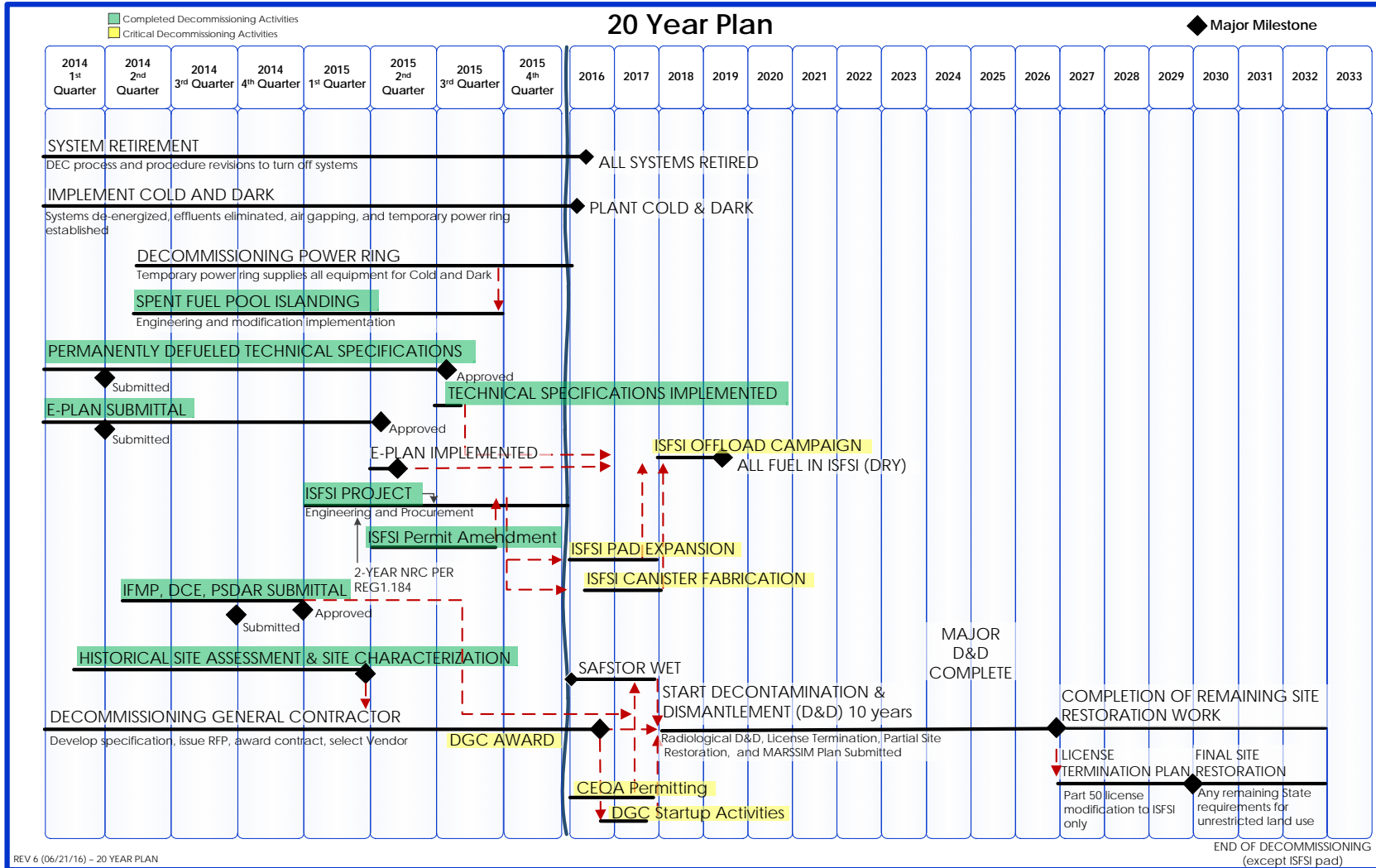
Decommissioning
San Onofre
Nuclear Generating Station

Decommissioning Principles

Safety
Stewardship
Engagement

***For more information on SONGS
please visit www.SONGScommunity.com***

Decommissioning Plan





Decommissioning Key Dates

- System retirement complete 3Q2016
- Plant in a Cold & Dark (C&D) condition
- Used Fuel offloaded to dry cask storage mid-2019
- CEQA review process and permitting complete 4Q2017
- Decommissioning & Dismantlement (D&D) begins 1Q2018
- Initial NRC license termination 2029
- Site restoration complete 2032



Decommissioning
San Onofre
Nuclear Generating Station

USED FUEL STRATEGY

Used Fuel Strategy

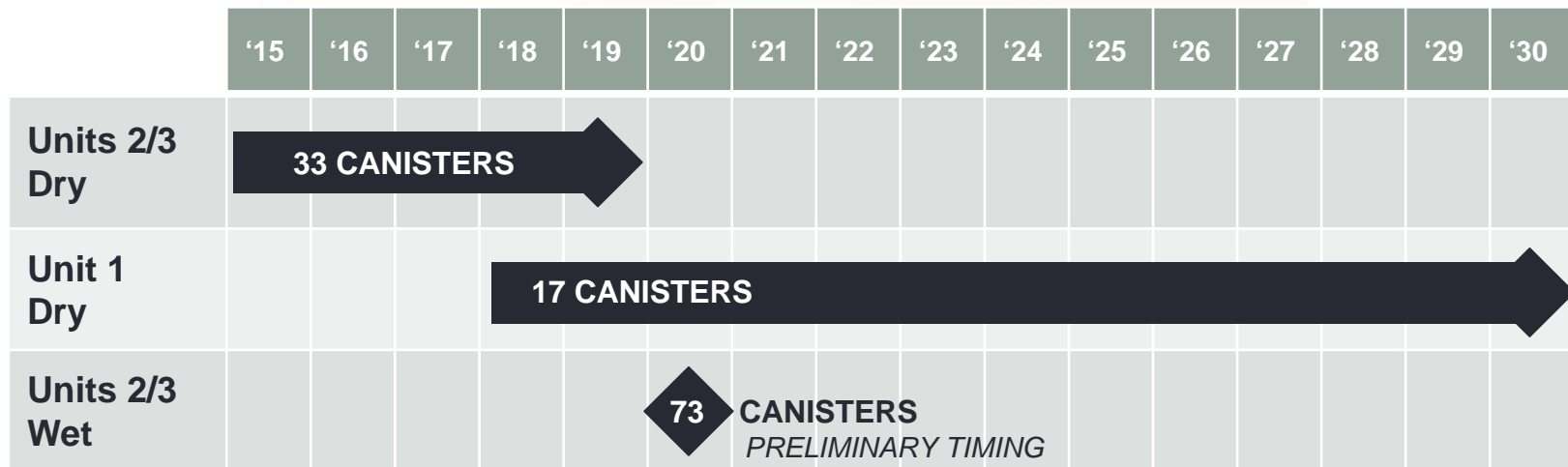
- Safely manage and store San Onofre's used nuclear fuel until it is removed from site
- Promptly offload fuel from spent fuel pools to passive dry cask storage
- Recover used fuel storage costs from DOE
- Support all safe and reasonable options to remove used nuclear fuel from San Onofre site

Independent Spent Fuel Storage Installation



Fuel Readiness for Transportation

- Transfer estimated at 10 years from start to finish
- Some fuel qualified for transport now
- Other fuel qualifies over time





Independent Spent Fuel Storage Installation Cost Recovery

- Used fuel management costs included in decommissioning cost estimate
- Decommissioning trust fully funded, including used fuel management costs
- Used fuel management costs recovered from DOE
 - June 2010 \$142 million awarded for 1998-2005 costs
 - April 2016 \$162 million awarded for 2006-2013 costs
 - Net proceeds refunded to customers



Decommissioning
San Onofre
Nuclear Generating Station

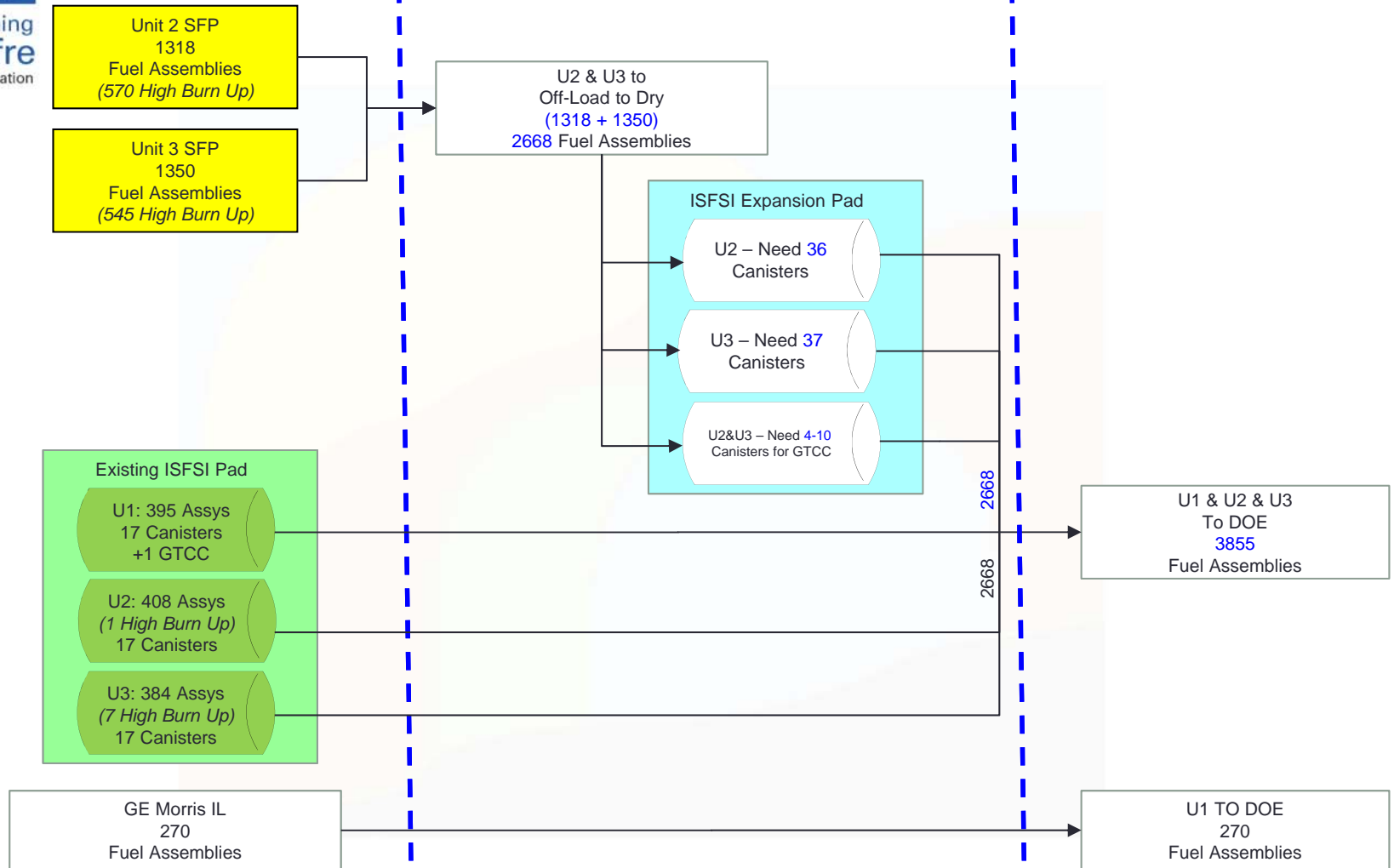
BACKUP SLIDES



Decommissioning
San Onofre
Nuclear Generating Station

Used Fuel Storage

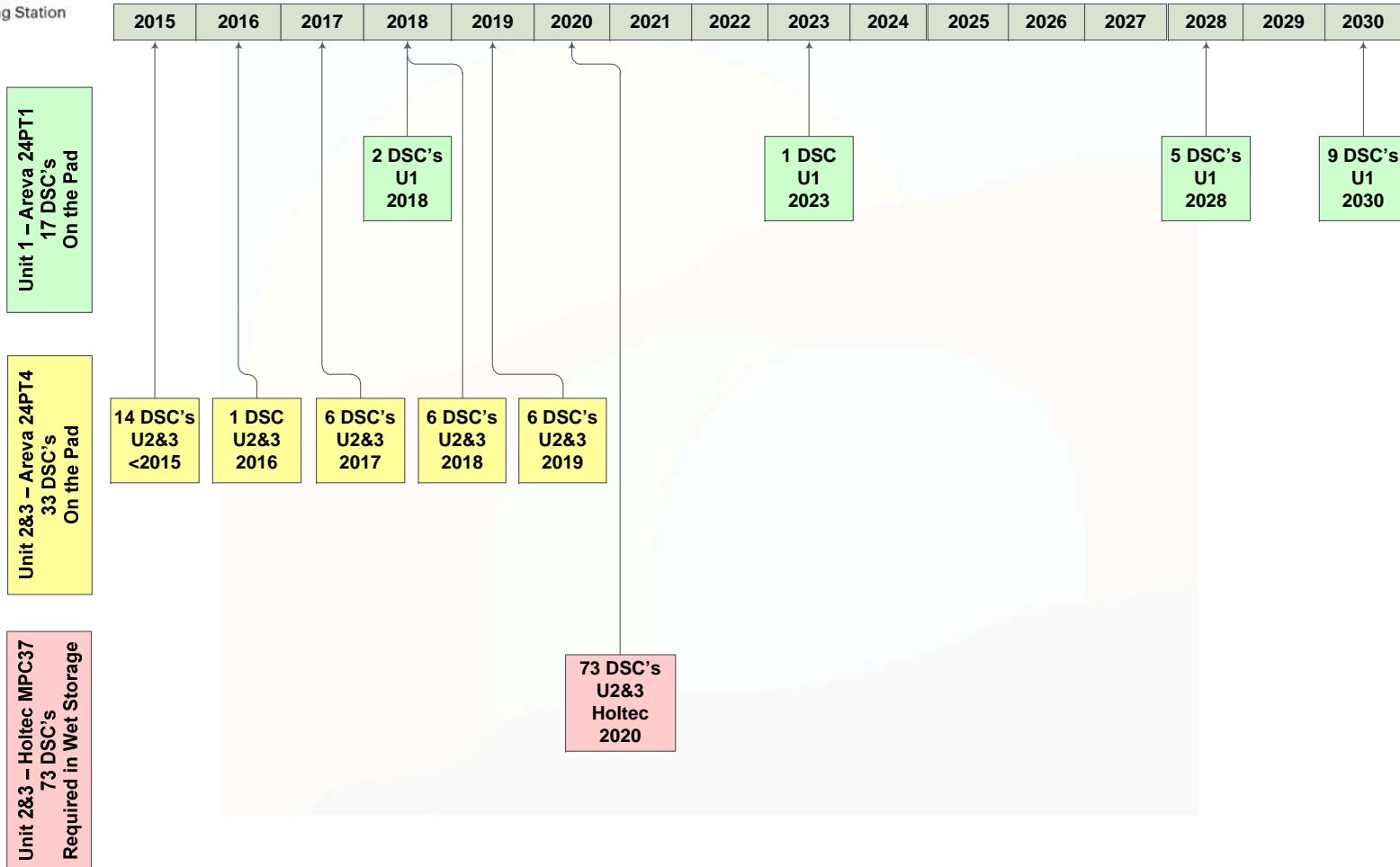
SONGS FUEL ASSEMBLY COUNT





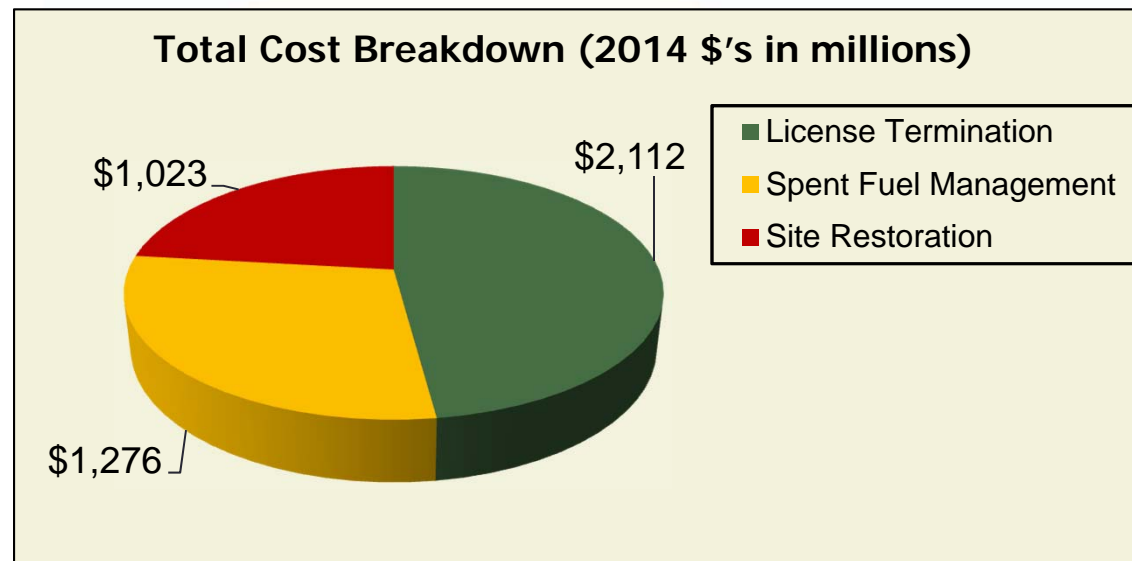
Decommissioning
San Onofre
Nuclear Generating Station

Spent Fuel Shipment Readiness



Decommissioning Cost Estimate Breakdown

Total Cost = \$4.411B (2014 \$'s, 100% Level)



Description of Cost Categories:

1. License Termination: Decommissioning planning through reactor and other plant system D&D
2. Used Fuel Management: Transfer of used fuel into and management of dry cask storage, and ultimate demolition of the ISFSI
3. Site Restoration Costs: Clean building demolition and site grading